



DECK-E9

LOW VOLTAGE IPM MOTOR

TORQUE: 30Nm | POWER: 9kW | S1 (CONTINUOUS): 4.4kW | IP69K | 11kg



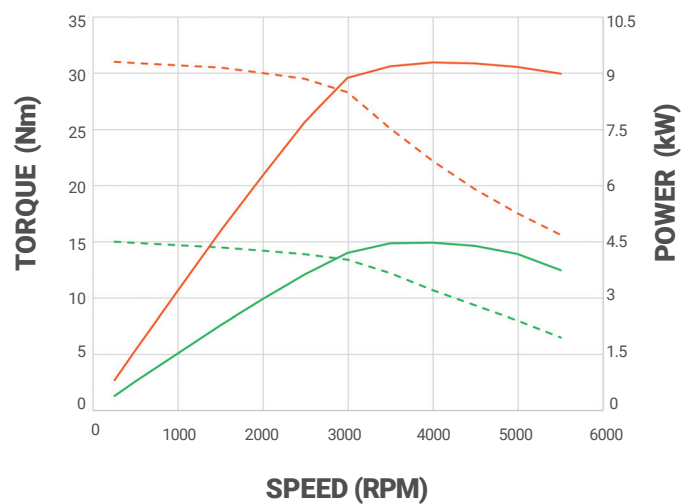
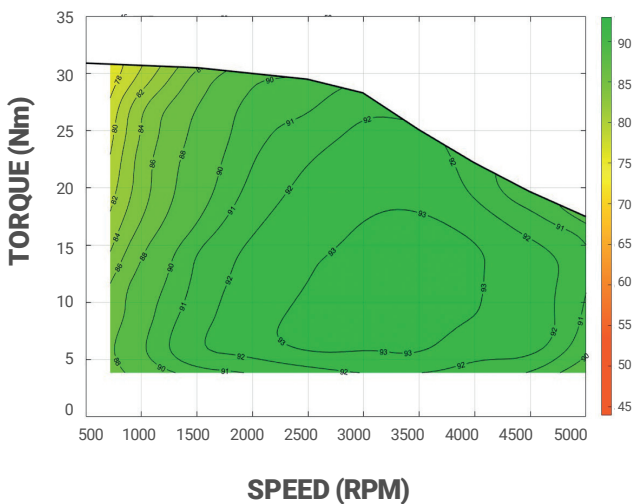
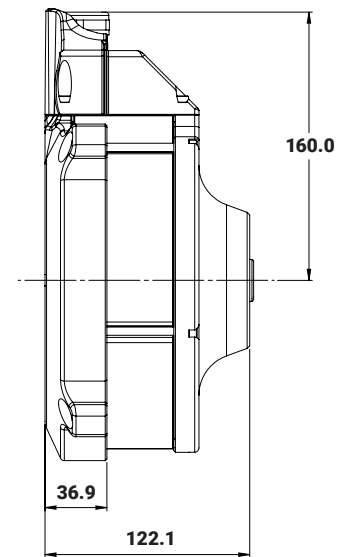
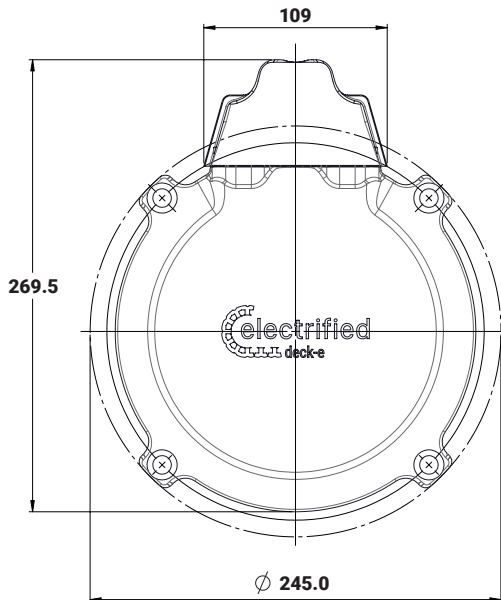
DECK-E9

PRODUCT SPECIFICATION

EA-DECK-E9 (IP69K)
LOW VOLTAGE IPM MOTOR



NOMINAL VOLTAGE	PEAK TORQUE @200ARMS	PEAK POWER [S2-5]	RATED POWER [S1]	MAXIMUM SPEED	MOTOR WEIGHT
48V	30 Nm	9 kW	4.4 kW	5000 RPM	11kg



*DATA RECORDED AT 25°C AMBIENT

— TORQUE [S2-5] - - - CONTINUOUS TORQUE [S1]
— POWER [S2-5] - - - CONTINUOUS POWER [S1]